



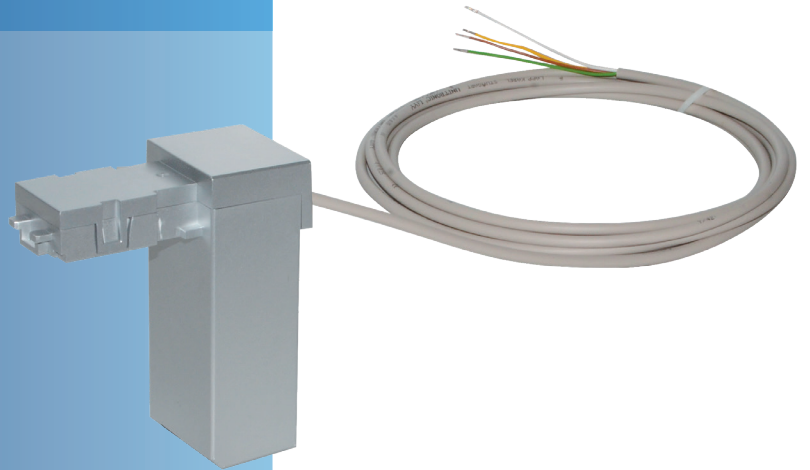
Water

GWF

GWF4D technology®

# PULSE MODULE

Sonico®  
NFC-Communication module



## Your benefits

- > High-resolution:  
**Pulse output with water flow direction detection**
- > High flexibility:  
**2 Pulse modules can operate simultaneously with different pulse values e.g. 1 l and 1000 l**
- > Water proof design:  
**Sealed housing (IP68)**
- > Plug & Play:  
**Easy and fast on-site installation with auto NFC interface-detection**
- > Electrical Isolation:  
**Meter and pulse module are galvanically separated**
- > No switch bounce:  
**Stable electronic pulses**

## Features

- > Snap-in NFC module slots – no connectors or cables needed
- > Continuous and tamper-proof connection, thoroughly reliable results
- > Can be factory fitted or retrofitted at installation site without breaking metrological seal
- > Provides a high-resolution pulse output of 0.1 l up to max. flow
- > Compatible with all versions of sonico® meters
- > Communication settings between meter and pulse module over encrypted IR interface
- > NFC port – Data security via AES-128-bit end-to-end encryption
- > Infrared configuration interface – Data security via AES-128-bit end-to-end encryption
- > **CE** Approval

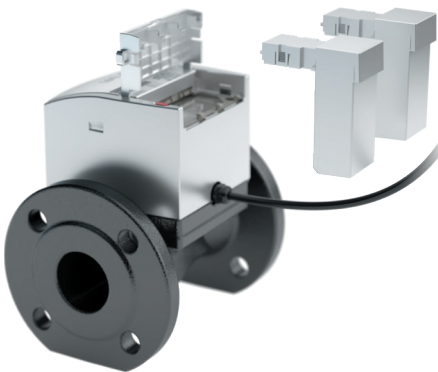
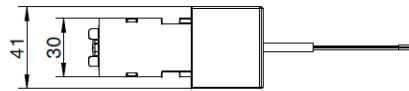
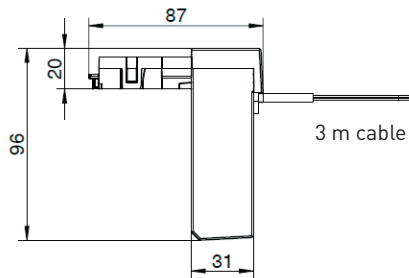
## Applications

- > Data logging in combination with various data loggers
- > SCADA system
- > Building management system
- > Industrial control applications
- > IoT modules
- > Installation in harsh and flooded environment

## Modes

Operating modes		
Mode 1	Channel 1 (white): Balanced forward pulses	Channel 2 (yellow): Error (empty pipe)
Mode 2	Channel 1 (white): Forward pulses	Channel 2 (yellow): Reverse pulses
Mode 3	Channel 1 (white): Forward or reverse pulses	Channel 2 (yellow): Flow direction: Signal high: Forward Signal low: Reverse

## Dimensions (mm)



## Technical data

Specifications	
Compliance with standard	EN 300 220
Approval	CE
Protection class	IP68
Cable length/ Supplied	3 m including cable joint for cable extension
Weight	approx. 243 g

Power supply	
Voltage	24 V DC +20 % / -10 % (19.2 – 26.4 V DC) No battery included
Current	200 mA

Pulse output	
Max. switching capacity	4 W
Max. current	0.2 A
Max. voltage	48 V DC

Conditions	
Operational temperature	-10 to +60 °C
Storage temperature	-10 to +70 °C
Relative humidity	0 to 100 % (IP68)



# GWF

GWF MessSysteme AG  
Obergrundstrasse 119  
6005 Lucerne, Switzerland

T +41 41 319 50 50  
info@gwf.ch

Technical support  
T +41 41 319 52 00  
support@gwf.ch

→ [gwf.ch](https://www.gwf.ch)