



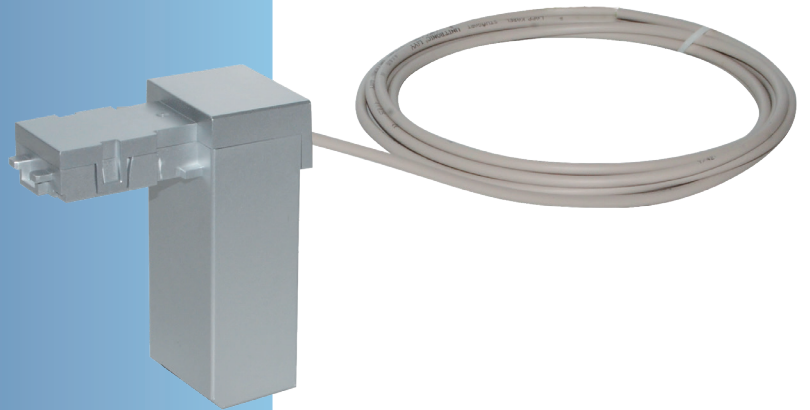
Water

GWF

GWF4D technology®

4-20 mA MODULE

Sonico®
NFC-Communication module



Your benefits

- > High-resolution:
4-20 mA current output volume flow
(16 Bit) configurable
- > High flexibility:
2 pcs. 4-20 mA modules can operate simultaneously with different settings
- > Water proof design:
Sealed housing (IP68)
- > Plug & Play:
Easy and fast on-site installation with auto
NFC interface-detection

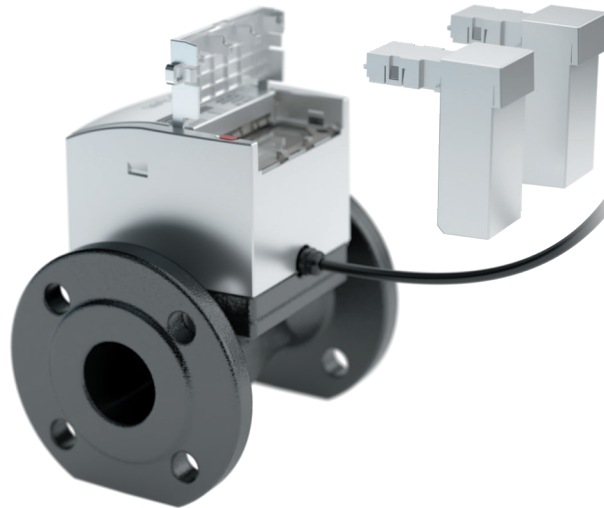
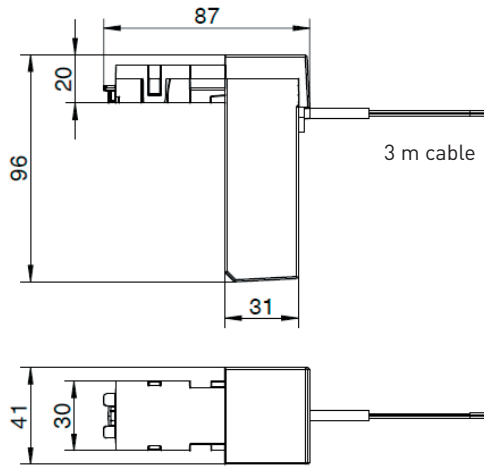
Features

- > Snap-in NFC module slots – no connectors or cables needed
- > Continuous and tamper-proof connection, thoroughly reliable results
- > Can be factory fitted or retrofitted at installation site without breaking metrological seal
- > Compatible with all versions of sonico® meters
- > Communication settings between meter and 4-20 mA module over encrypted IR interface
- > NFC port – Data security via AES-128-bit end-to-end encryption
- > Infrared configuration interface – Data security via AES-128-bit end-to-end encryption
- > **CE** Approval

Applications

- > SCADA system
- > Industrial control application
- > Building management system
- > Data logging in combination with various data loggers
- > Installation in harsh and flooded environment

Dimensions (mm)



Technical data

Specifications	
Compliance with standard	EN 300 220
Approval	CE
Protection class	IP68
Current output	4...20 mA, passive
Cable length/ supplied	3 m including cable joint for cable extension
Maximum cable length	500 m
Weight	approx. 243 g

Power supply	
Voltage	8...26 V DC No battery included
Current	< 3 mA

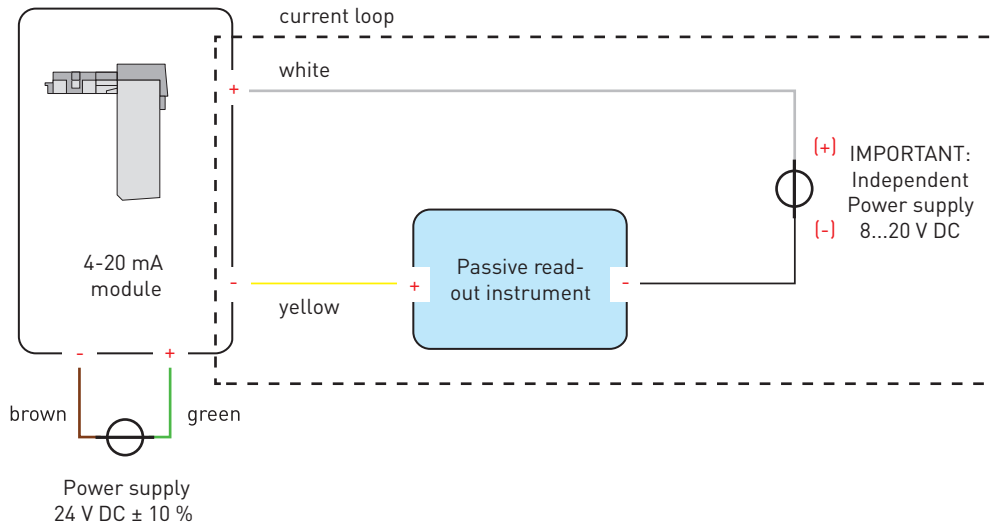
Conditions	
Operational temperature	-10 to +60 °C
Storage temperature	-10 to +70 °C
Relative humidity	0 to 100 % (IP68)

OUTPUT + CONNECTION → 4-20 mA MODULE

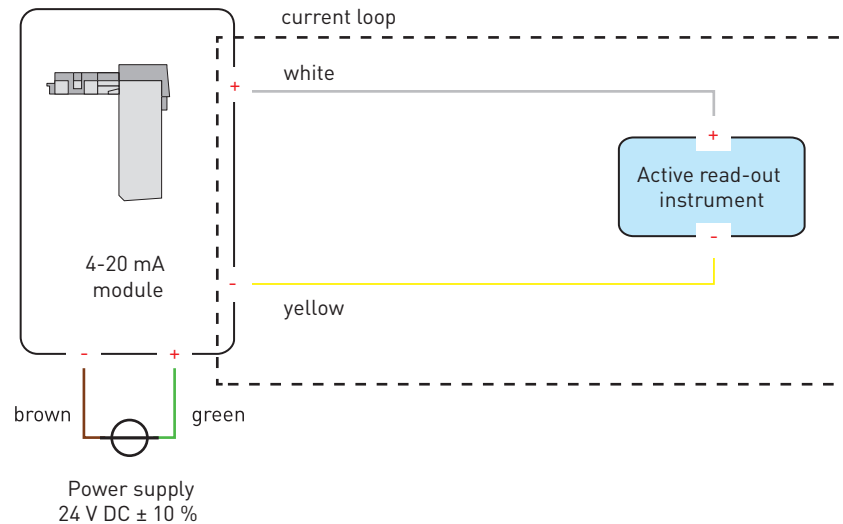
Electrical scheme

The current output is a passive 4-20 mA. Power must be provided by the customer.

1. Sonico® 4-20 mA module connection schema using a passive read-out instrument.

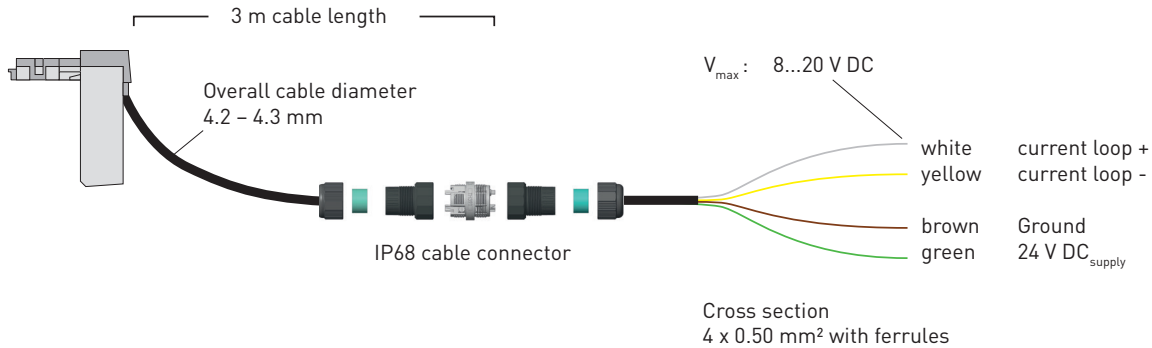


2. Sonico® 4-20 mA module connection schema using an active read-out instrument.



OUTPUT + CONNECTION → 4-20 mA MODULE

4-20 mA module cable connection



Configuration

Standard configuration	Value	Factory default
4 mA	Fix	Q _{Start} as according to meter data sheet
20 mA	Configurable	Q ₄ as according to meter data sheet
3.5 mA	Fix	No NFC connection or Q ₄ flow rate exceeded

GWF

GWF MessSysteme AG
Obergrundstrasse 119
6005 Lucerne, Switzerland

T +41 41 319 50 50
info@gwf.ch

Technical support
T +41 41 319 52 00
support@gwf.ch

→ [gwf.ch](https://www.gwf.ch)