



Installation instructions

GWFcoder® MP - RCM® split / RCM®-LRW... (Radio module)

Installation for MTKcoder® MP (8 register wheels)

Installation for Meistream / Meistream Plus / Meitwin / WPV-MS with GWFcoder® MP (6 register wheels)

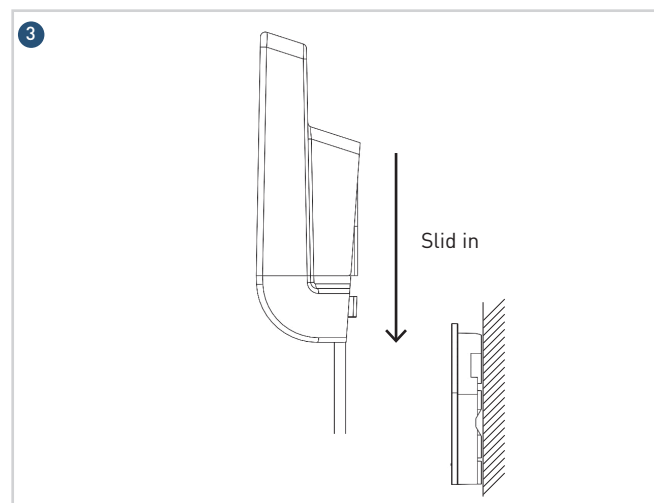
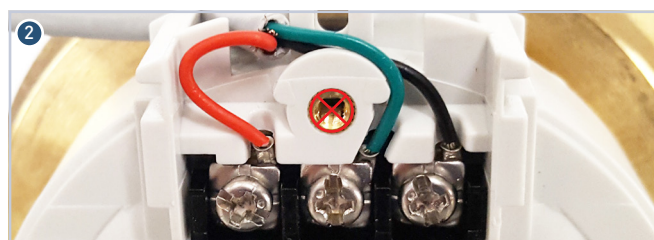
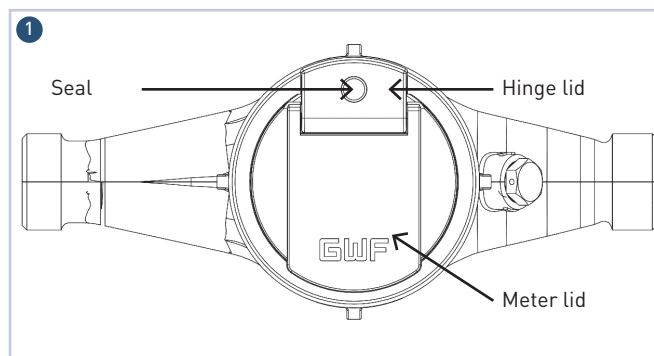
1. If you have ordered a GWFcoder® MP meter with a cable or the IP68 (flood-proof) version, the cable is pre-assembled. In this case, please continue with point 8.
2. With a screwdriver for recessed-head screws (size 0) stab the seal in the hinged lid (Fig. 1) and loosen the screw below the seal.
3. Remove hinge lid.
4. Connect the wires of the radio module (red, green, black) to the screw binders (Fig. 2). The polarity of the connecting wires (red and black) makes no difference. **Pay particular attention to the connection of the green stranded cable.** The green stranded cable must be attached to the middle position using the screw binders supplied separately with the installation kit.
5. Insert the cable into the left strain relief part.
6. Install the meter lid and hinge lid again with a screw. Caution: Do not pinch cable.
7. Insert seal.
8. We recommend the use of Scotchlok connectors when installing an RCM® split / RCM®-LRW... radio module to a GWFcoder® meter with a connected cable that can be extended to 25 m. A 3 x 0,25 mm² cable must be used for the cable extension (**only stranded cable, not wire**). See installation instructions for Scotchlok connector:
 Documentation: Scotchlok connector - BAe40236
9. Installation methods RCM® split / RCM®-LRW...radio module.

Depending on the length of cable, choose the most suitable installation site for the RCM® split / RCM®-LRW... radio module in terms of signal and range.

 - a) Wall installation

Mark the position for the two holes and attach the wall bracket using the supplied wall plugs and screws. Insert the radio module until it engages on the mounted wall bracket (Fig. 3).
 - b) Pipe installation

Use cable ties to install the wall bracket at the desired position. Insert the radio module until it engages on the mounted wall bracket (Fig. 3).
10. Carry out a test read-out.



Note:

To achieve the best radio range it's necessary to install the radio module vertically (see fig. 3)



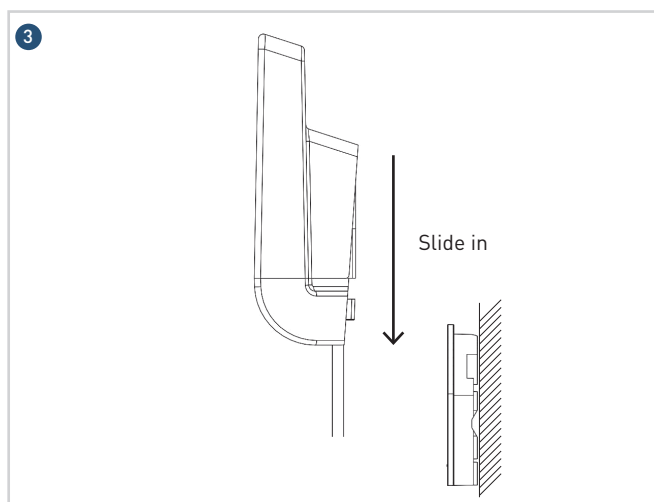
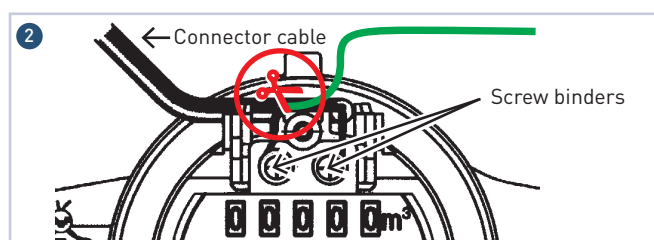
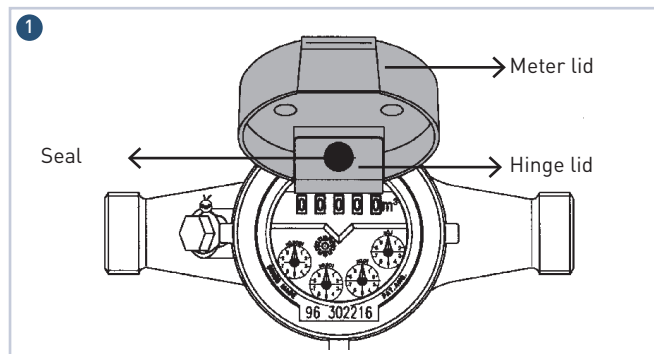
Installation instructions

GWFcoder® - RCM® split / RCM®-LRW... (Radio module)

Installation for MTKcoder® (5 register wheels)

Installation for Meistream / Meistream Plus / Meitwin / WPV-MS with GWFcoder® (6 register wheels)

1. If you have ordered a GWFcoder® meter with a cable or the IP68 (flood-proof) version, the cable is pre-assembled. In this case, please continue with point 9.
2. Open the meter lid.
3. With a screwdriver for recessed-head screws (size 0) stab the seal in the hinged lid (Fig. 1) and loosen the screw below the seal.
4. Remove hinge lid and meter lid.
5. Connect the red and black wires of the radio module to the screw binders (Fig. 2). The polarity of the connecting wires makes no difference.
When using a GWFcoder® with 5 register wheels, the **green connecting wire** must be cut off as close as possible to the cable jacket (Fig. 2).
6. Insert the cable into the strain relief part. Exit on the left or right side possible.
7. Install the meter lid and hinge lid again with a screw.
8. Insert seal.
9. We recommend the use of Scotchlok connectors when installing an RCM® split / RCM®-LRW... radio module to a GWFcoder® meter with a connected cable that can be extended to 25 m. A 2 x 0,25 mm² cable must be used for the cable extension **[only stranded cable, not wire]**.
See installation instructions for Scotchlok connector:
 Documentation: Scotchlok connector - BAe40225
10. Installation methods RCM® split / RCM®-LRW... radio module:
Depending on the length of cable, choose the most suitable installation site for the RCM® split / RCM®-LRW... radio module in terms of signal and range.
 - a) Wall installation
Mark the position for the two holes and attach the wall bracket using the supplied wall plugs and screws. Insert the radio module until it engages on the mounted wall bracket (Fig. 3).
 - b) Pipe installation
Use cable ties to install the wall bracket at the desired position. Insert the radio module until it engages on the mounted wall bracket (Fig. 3).
11. Carry out a test read-out.



Note:

To achieve the best radio range it's necessary to install the radio module vertically (see fig. 3)