



# Interface CL-SCR(IEC)

Remote meter reading

## Your benefits

- Interface converter between GWFcoder® meters and CL/CS communication devices:  
**Easy integration into remote meter reading systems**
- Transparent mode of operation:  
**Unchanged transfer of read-out data to the communication device**
- Clearly marked connection terminals:  
**Easy on-site installation**

## Application

- The interface is used for the addressed readout of water and gas meters with GWFcoder® registers via a CL interface. Using the interface, it is possible to read out several meters connected in series via a modem.

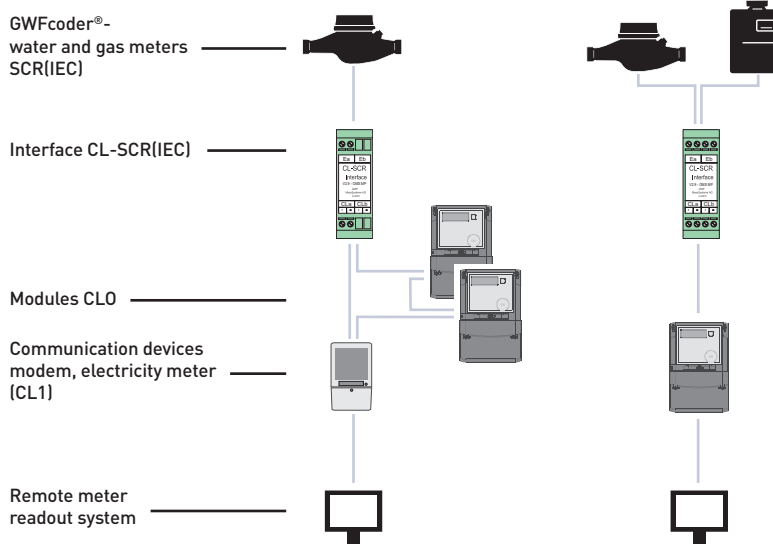
## Features

- Compatible with CL standard interface IEC 62056-21
- Two versions available: 1 or 2 channels
- Depending on the type of modem, up to four meters can be connected to the bus and read out
- Polarity independent connection of GWFcoder® meter to the interface
- DIN rail mounting

The interface can be used to connect the GWFcoder® meter with SCR(IEC) interface to a communication device with a CL interface. The communication device functions as the master (CL1) and reads out the connected meters (CL0) via the CL interface. The interface is mounted near to the communication device.

In combination with remote meter readout, it is possible to read out the register readings directly from a control centre. The remote meter readout software must support the GWFcoder® data set.

## Components



# Technical Data

## Versions

One-channel – connection for one GWFcoder® meter

Two-channel – connection for two GWFcoder® meters

## Data transfer

GWFcoder® meter version 5.x 300 baud 7E1 mode A

GWFcoder® meter version 4.x 300 baud 7E2 mode A

The interface functions transparently and does not save data – readout data is transferred to the communication device without being modified.

## Installation

The interface should be installed directly at the communication device.

## Max. cable length

SCR connection cable 150 m

## Type of cable

SCR connection cable U72 (1x4x0,8)

## Dimensions and weight

Dimensions 25x78x47 mm

Weight app. 50 g

## Application area

Temperature -10 to +60 °C

Protection class IP40

## Interfaces

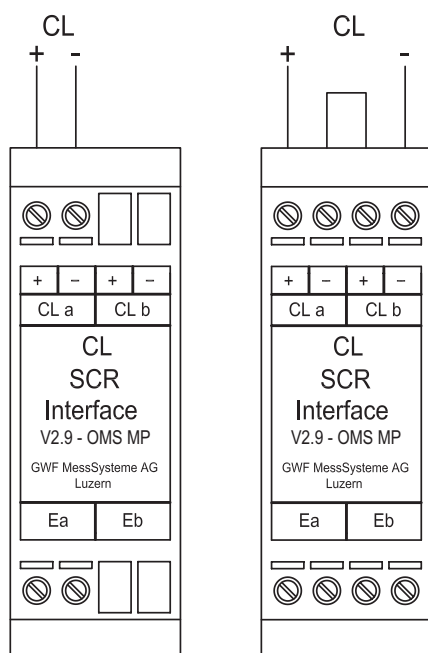
CL standard according to IEC 62056-21

Inductive according to SCR / Protocol IEC 62056-21

## Type of mounting

DIN rail mounting

# Meter connection scheme



Meter type	Connecting wires
MTKcoder® IP67	white, brown
MTKcoder® IP68	black, red (green cut off)
MTKcoder® MP IP67	white, brown
MTKcoder® MP IP68	black, red (green cut off)
WPKDcoder	black, red (brown cut off)
WSDKcoder	black, red (brown cut off)
Meistream with GWFcoder®	white, brown
Meistream Plus with GWFcoder®	white, brown
Meistream with GWFcoder® MP	black, red (green cut off)
Meistream Plus with GWFcoder® MP	black, red (green cut off)

## Connection and signal transfer

Interface	Signal transfer
+/-	20 mA current loop according to IEC 62056-21 Power supply from the active device (Master CL1). After «Power ON», the interface requires app. 60 seconds before it is ready for operation. Voltage drop per GWFcoder® meter < 5 V DC
Ea	GWFcoder® register (polarity independent – channel 1)
Eb	GWFcoder® register (polarity independent – channel 2)

GWF MessSysteme AG  
Obergrundstrasse 119  
6005 Lucerne, Switzerland

T +41 41 319 50 50  
F +41 41 310 60 87  
info@gwf.ch, www.gwf.ch

Technical support:  
T +41 41 319 52 00, support@gwf.ch