



# MTW

Multijet meter  
for warm water up to 90°C  
DN 15, 20, 25, 32, 40, 50

## Your benefits

- Robust, high grade wear resistant materials:  
Excellent measuring stability and reliability
- Measurement of low flow rates:  
Increased cost effectiveness

## Application

- Regular consumption monitoring of water consumption within an entire building
- For nominal flow rates up to 25m<sup>3</sup>/h

## Features

- Multijet impeller wheel, super dry-dial, magnetic coupling
- Register can be turned for best readout position
- Maximum operation pressure PN 16 bar
- Maximum operating temperature 90°C
- Horizontal or vertical installation (MTW-V...)
- High grade wear resistant and corrosion proof materials
- Inlet strainer
- Reconditionable and recyclable execution
- KTW and W270 Certification
- **CE** Conformity according to European Measuring Instruments (MID)

## Options

- NPSM threaded connection (only for horizontal housing)
- Reed pulser IPG14 with 1,5m, 3m or 5m cable for the transmission to remote or centralised indication devices  
 Documentation: IPG14 - EPe40217
- MTWcoder® MP  
 Documentation: MTWcoder® MP - EPe20130

# Technical Data

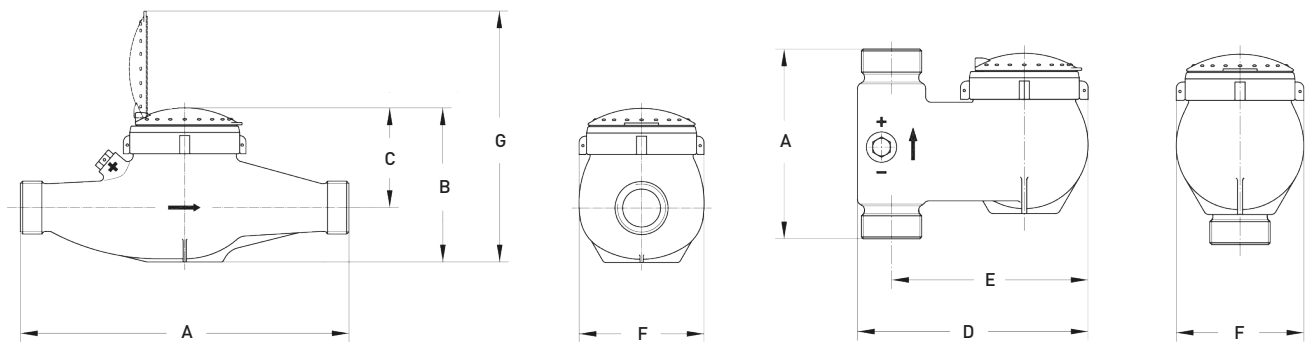
Execution			MTW (horizontal)							MTW-VS or -VF (vertical) <sup>1)</sup>			
Nominal diameter	DN	mm	15	20	25	25	32	40	50	20	25	32	40
Operating pressure	PN	bar	16	16	16	16	16	16	16	16	16	16	16
Connection thread on meter	G...B	Inch	¾	1	1¼	1¼	1½	2	2¾	1	1¼	1½	2
Connection thread on coupling	R...	Inch	½	¾	1	1	1¼	1½	2	¾	1	1¼	1½
Nominal flow rate	Q <sub>3</sub>	m <sup>3</sup> /h	2,5	4	6,3	10	10	16	25	4	6,3	10	16
Maximum flow rate	Q <sub>4</sub>	m <sup>3</sup> /h	3,125	5	7,875	12,5	12,5	20	31,25	5	7,875	12,5	20
Transitional flow rate ±3%	Q <sub>2</sub>	l/h	40	80	126	200	200	320	500	80	126	200	320
Minimum flow rate ±5%	Q <sub>1</sub>	l/h	25	50	78,75	125	125	200	312,5	50	78,75	125	200
Temperature		max. °C	90	90	90	90	90	90	90	90	90	90	90
Measuring range			R100	R80	R80	R80	R80	R80	R80	R80	R80	R80	R80

Dimensions and weights			MTW (horizontal)							MTW-VS or -VF (vertical) <sup>1)</sup>			
Length without couplings	A	mm	165	220 <sup>2)</sup>	260	260	260	300	300	105	150	150	200
Length with couplings		mm	239	312	352	352	372	432	452	197	242	262	332
Total height	B	mm	108	114	123	123	123	149	199	-	-	-	-
Meter height from pipe centre line	C	mm	73	73	80	80	80	103	142	-	-	-	-
Meter depth	D	mm	-	-	-	-	-	-	-	148	169	183	226
Meter depth from pipe centre line	E	mm	-	-	-	-	-	-	-	130	143	156	190
Meter width	F	mm	95	95	100	100	100	135	151	95	98	101	139
Meter height with open lid	G	mm	185	191	200	200	200	226	240	-	-	-	-
Weight without couplings		app. kg	1,7	2,0	2,6	2,6	2,7	5,1	5,7	-	-	-	-
Weight without couplings MTW-VS		app. kg	-	-	-	-	-	-	-	1,9	2,2	2,2	5,6
Weight without couplings MTW-VF		app. kg	-	-	-	-	-	-	-	2,0	3,4	3,6	6,9
Weight with couplings		app. kg	2,0	2,3	3,1	3,1	3,4	6,2	7,3	-	-	-	-
Weight with couplings MTW-VS		app. kg	-	-	-	-	-	-	-	2,2	2,7	2,9	6,7
Weight with couplings MTW-VF		app. kg	-	-	-	-	-	-	-	2,3	3,9	4,3	8,0

<sup>1)</sup> -VS = Vertical riser / -VF = Vertical down pipe

<sup>2)</sup> Also supplied in length 190mm

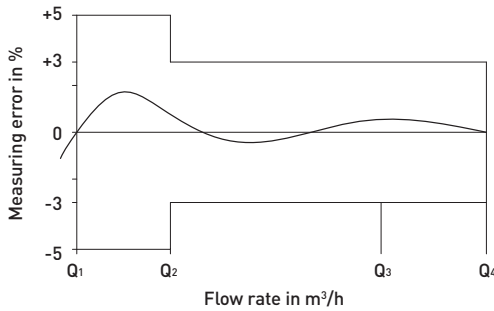
## Dimension Diagram



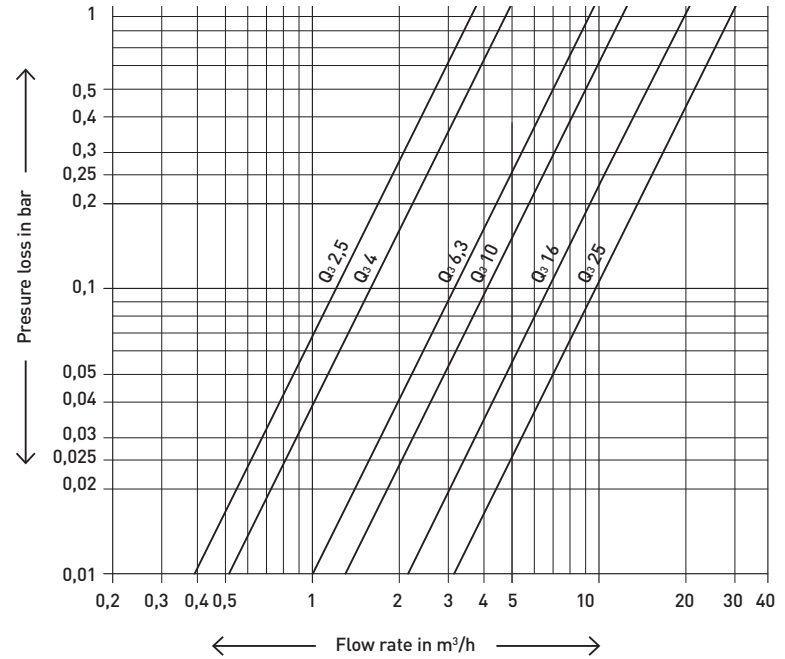
## Materials

Housing with screwed connection:	UBA Brass (DIN 50930-6)
Sealing plate:	UBA Brass (DIN 50930-6)
Impeller / measuring insert:	High grade synthetic materials
Bearings:	Hard metal, Sapphire, Chrome nickel steel
Seal material:	EPDM

## Measuring error curve



## Typical Head Loss Curve



## Installation

Pipeline:	horizontal	—
	vertical	
Meter head:	upwards	↑

## Pulse value table

Pulse values	Q <sub>3</sub> 2,5-10	1*	10	100
(1 Pulse = ...Liter)	Q <sub>3</sub> 16-25	-	10	100

\* Only available in measuring range R40

GWF MessSysteme AG  
Obergrundstrasse 119  
6005 Lucerne, Switzerland

T +41 41 319 50 50  
F +41 41 310 60 87  
info@gwf.ch, www.gwf.ch

Technical support:  
T +41 41 319 52 00, support@gwf.ch

---

printed in  
switzerland

Subject to modification, 05.11.2018 – EPe20120