



Cold
water

GWF



Meistream Plus

Bulk water meters
for cold water up to 50°C
DN 50, 65, 80, 100, 150

Your benefits

- Measurement of low flow rates:
Increased cost effectiveness
- Removable measuring insert:
Retrofittability and replaceability guaranteed
- One measuring insert for various bodies:
Lower storage costs

Application

- Measurement of medium to high flow rates
- Measurement of low flow rates during offpeak periods
- Measuring of
 - Desalinated / demineralized water
 - Caustic soda up to 20%
 - Saline water up to 10%
 - Chlorinated water up to 1%
 - Glycol-water solutions up to 30%
 - Caustic solutions up to pH value 9

Features

- Horizontal installation position
- No straight flow section required before the meter
- Register can be turned through 355°
- Maximum operating pressure PN 16 bar
- Temperatures up to 50°C
- Rotor is hydrodynamically, radially, and axially balanced
- Available in the standard installation lengths for WS and WP meters
- Powder coating provides optimum corrosion protection
- Non-ferrous metal design
- SVGW certification
- **CE** Conformity according to the European Measuring Instrument Directive (MID)
- Flood-proof standard pulser register (IP68) with a port for one Opto-OD-Pulser and provision for a HRI-Mei pulser

Options

- Flood-proof GWFcoder® register (IP68) with IEC or M-Bus interface and 5m cable and provision for a HRI pulser
- High-resolution pulse generator HRI-Mei
 Documentation: HRI-Mei - EPe10222
- High-resolution pulse generator Opto OD
 Documentation: Opto-OD-Pulser - EPe10205

Technical Data

Nominal diameter ¹⁾	DN	mm	50	50	65	65	80	80	100	100	150
Nominal pressure	PN	bar	16	16	16	16	16	16	16	16	16
Nominal flow rate	Q ₃	m ³ /h	35	35	40	40	63	63	100	100	250
Overload flow rate (few minutes)	Q ₄	m ³ /h	55	55	60	60	120	120	160	160	400
Transitional flow rate ±2%	Q ₂	m ³ /h	0,13	0,13	0,16	0,16	0,25	0,25	0,4	0,4	0,63
Minimum flow rate ±5%	Q ₁	m ³ /h	0,07	0,07	0,1	0,1	0,13	0,13	0,2	0,2	0,35
Temperature		max. °C	50	50	50	50	50	50	50	50	50

Dimensions and weights											
Overall length	L	mm	200	270 ²⁾	200	300	225	300	250	360	300 ³⁾
Height ⁴⁾	H	mm	120	120	120	120	150	150	150	150	177
Height	h	mm	73	73	85	85	95	95	105	105	135
Dismantling height of measuring unit ⁴⁾	g	mm	200	200	200	200	270	270	270	270	356
Meter weight		app. kg	7,8	9,6	10,1	12	14,2	16,3	18,2	20,2	35,9
Measuring insert weight		app. kg	1,5	1,5	1,5	1,5	3,2	3,2	3,2	3,2	5,9
Body weight		app. kg	6,3	8,1	8,6	10,5	11	13,1	15	17	30

¹⁾ Nominal size DN40 upon request

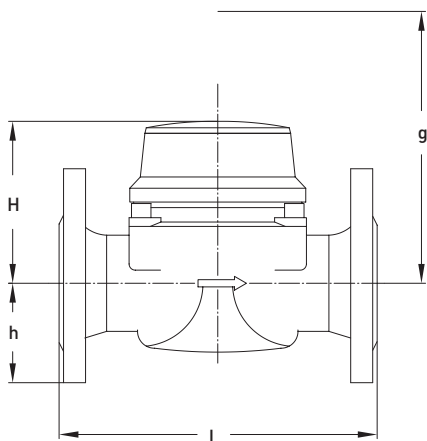
²⁾ Also available with 300 mm body length

³⁾ Also available with 500mm body length

⁴⁾ The dimension g and H increase by 22mm if a HRI-Mei impulse generator and cover are installed

MID certification data											
Nominal flow rate	Q ₃	m ³ /h	25	25	40	40	63	63	100	100	250
Temperature		max. °C	50	50	50	50	50	50	50	50	50
Measuring range			R315	R315	R400	R400	R400	R400	R400	R400	R630
Standard marking			R315	R315	R315	R315	R315	R315	R315	R315	R315

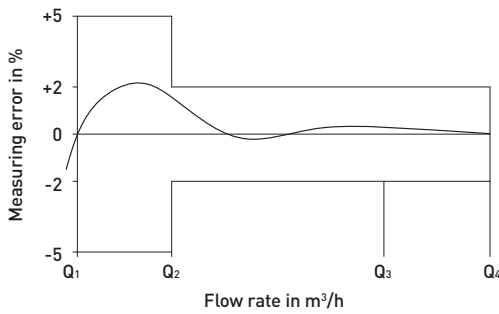
Dimension Diagram



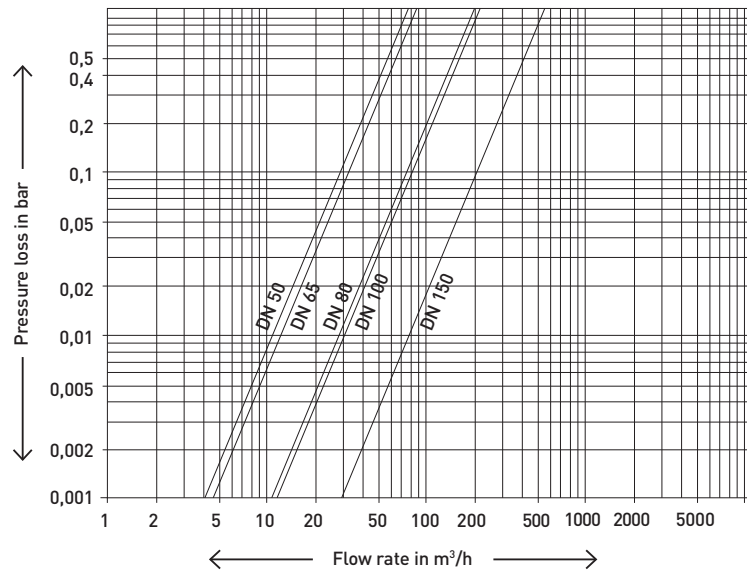
Materials

Body:	Cast iron
Measuring insert:	Plastic
Rotor:	Plastic
Other materials:	Brass / non-rusting steel

Measurement error curve



Typical Head Loss Curve



Installation

Pipeline:	horizontal	—
Meter head:	upwards	↑



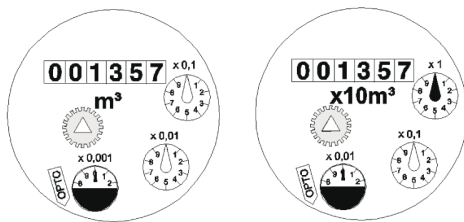
Commission

When commissioning the meter the measuring section must be filled slowly (bleed slowly).

Dial

DN 50 – DN 100

DN 150



Nominal size	DN	50–100	150
Smallest reading	m ³	0,0005	0,005
Maximum register reading	m ³	1'000'000	10'000'000

Pulse values HRI-Mei Pulser

Meter sizes	DN 50...100 1 Pulse = ...Liter	DN 150 1 Pulse = ...Liter
Meistream Plus	10 100	100 1000

Pulse values Opto-OD-Pulser

Meter sizes	DN 50...100 1 Pulse = ...Liter	DN 150 1 Pulse = ...Liter
Meistream Plus	Opto OD 01 Opto OD 03	1 10 100

GWF MessSysteme AG
Obergrundstrasse 119
6005 Lucerne, Switzerland

T +41 41 319 50 50
F +41 41 310 60 87
info@gwf.ch, www.gwf.ch

Technical support:
T +41 41 319 52 00, support@gwf.ch

printed in
switzerland

Subject to modification, 09.08.2019 – EPe10221