



MTW

Multijet meter
for warm water up to 90 °C
DN 15, 20, 25, 32, 40, 50

Your benefits

- Robust, high grade wear resistant materials:
Excellent measuring stability and reliability
- Measurement of low flow rates:
Increased cost effectiveness

Application

- The multijet warm water meter is suited for central heating installations and industrial measurement applications.
- For flow rates up to 15 m³/h

Features

- Multijet impeller wheel, super dry-dial with magnetic coupling
- Register can be turned for best readout position
- Maximum operating pressure PN 16
- Maximum operating temperature 90 °C
- Horizontal or vertical (MTW-V...) installation
- Reed pulser IPG14 with 1,5 m cable
- High grade wear resistant and corrosion proof materials
- Inlet strainer
- Reconditionable and recyclable execution
- Magnetic protective cover against external influences
- **CE** Conformity according to European Measuring Instruments Directive (MID)
- Environmental class B, Accuracy class 3

Options

- Reed pulser IPG14 with 3 m or 5 m cable
- Different pulse values
 Documentation: IPG14 - EPe40217

Technical Data

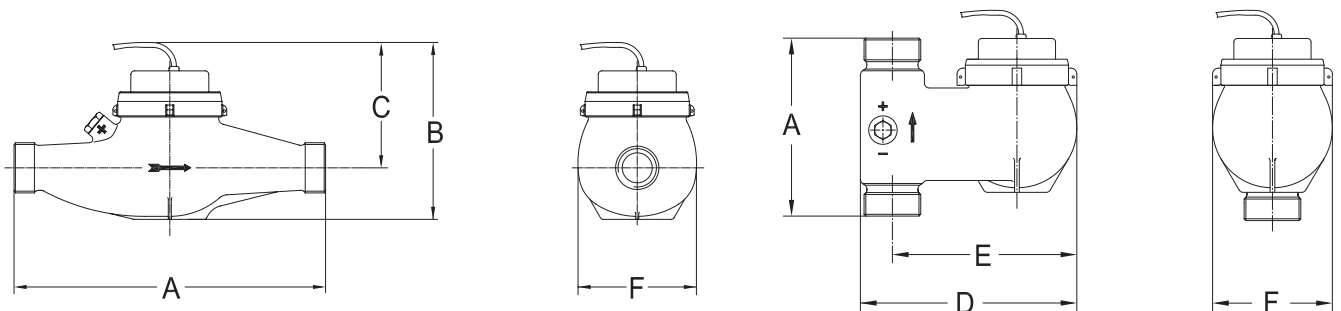
Execution			MTW (horizontal)							MTW-VS or -VF (vertical) ¹⁾			
Nominal diameter	DN	mm	15	20	25	25	32	40	50	20	25	32	40
Operating pressure	PN	bar	16	16	16	16	16	16	16	16	16	16	16
Connection thread on meter	G...B	Inch	¾	1	1¼	1¼	1½	2	2¾	1	1¼	1½	2
Connection thread on coupling	R...	Inch	½	¾	1	1	1¼	1½	2	¾	1	1¼	1½
Nominal flow rate	q _p	m ³ /h	1,5	2,5	3,5	6	6	10	15	2,5	3,5	6	10
Maximum flow rate	q _s	m ³ /h	3	5	7	12	12	20	30	5	7	12	20
Minimum flow rate	q _i	l/h	30	50	70	120	120	200	300	50	70	120	200
Kvs-value		m ³ /h	3,5	5	10	12	12	20	30	5	10	12	20
Temperature range			2... 90	2... 90	2... 90	2... 90	2... 90	2... 90	2... 90	2... 90	2... 90	2... 90	2... 90
Measuring range	q _i /q _p		1:50	1:50	1:50	1:50	1:50	1:50	1:50	1:50	1:50	1:50	1:50

Dimensions and weights			MTW (horizontal)							MTW-VS or -VF (vertical) ¹⁾			
Length without couplings	A	mm	165	220 ²⁾	260	260	260	300	300	105	150	150	200
Length with couplings		mm	239	312	352	352	372	432	452	197	242	262	332
Total height	B	mm	121	127	137	137	137	163	177	-	-	-	-
Meter height from pipe centre line	C	mm	78	87	94	94	94	117	120	-	-	-	-
Meter depth	D	mm	-	-	-	-	-	-	-	148	169	183	226
Meter depth from pipe centre line	E	mm	-	-	-	-	-	-	-	130	143	156	190
Meter width	F	mm	95	95	100	100	100	135	151	95	98	101	139
Weight without couplings		app. kg	1,8	2,1	2,7	2,7	2,8	5,2	5,8	-	-	-	-
Weight without couplings MTW-VS		app. kg	-	-	-	-	-	-	-	2,0	2,3	2,3	5,7
Weight without couplings MTW-VF		app. kg	-	-	-	-	-	-	-	2,1	3,5	3,7	7,0
Weight with couplings		app. kg	2,1	2,4	3,2	3,2	3,5	6,3	7,4	-	-	-	-
Weight with couplings MTW-VS		app. kg	-	-	-	-	-	-	-	2,3	2,8	3,0	6,8
Weight with couplings MTW-VF		app. kg	-	-	-	-	-	-	-	2,4	4,0	4,4	8,1

¹⁾-VS = vertical riser / -VF = vertical down pipe

²⁾Also supplied in length 190 mm

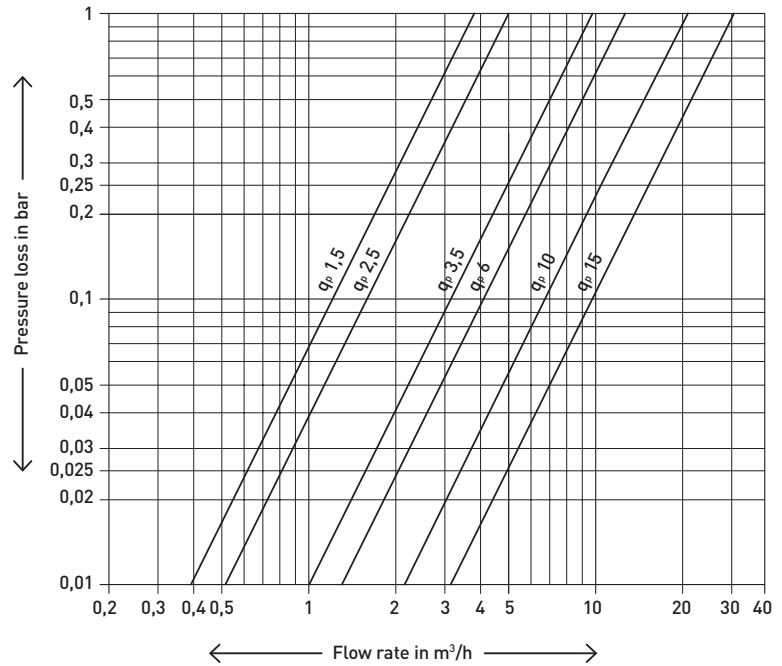
Dimension Diagram



Materials

Housing with screwed connection:	UBA Brass (DIN 50930-6)
Sealing plate:	UBA Brass (DIN 50930-6)
Impeller / head piece:	High grade synthetic material
Bearings:	Hard metal, sapphire, Chrome nickel steel
Seal material:	EPDM

Typical Head Loss Curve



Installation

Pipeline:	horizontal	—
	vertical	
Meter head:	upwards	↑

Pulse value table

Pulse values	q_p 1,5-6	1*	2,5	10	25	100	250
(1 Pulse = ...Liter)	q_p 10-15	-	2,5	10	25	100	250

* Only available in measuring range 1:25

GWF MessSysteme AG
Obergrundstrasse 119
6005 Lucerne, Switzerland

T +41 41 319 50 50
info@gwf.ch, www.gwf.ch

Technical support:
T +41 41 319 52 00, support@gwf.ch

printed in
switzerland

Subject to modification, 10.05.2021 – EPe20312